



CMR1-02
 CMR1-04
 CMR1-06
 CMR1-10

**GENERAL PURPOSE RECTIFIER
 1.0 AMP, 200 THRU 1,000 VOLTS**



SMB CASE

Central™ Semiconductor Corp.

DESCRIPTION:

The CENTRAL SEMICONDUCTOR 1.0 Amp Surface Mount Silicon Rectifier is a high quality, well constructed, highly reliable component designed for use in all types of commercial, industrial, entertainment, computer, and automotive applications. To order devices on 12mm Tape and Reel (3000/13" Reel), add TR13 suffix to part number.

MARKING CODE: (SEE TABLE ON NEXT PAGE)

FEATURES:

- Special selections available
- Low cost
- Superior lot-to-lot consistency
- High reliability
- "C" Bend construction provides strain relief when mounted on PC board
- Glass passivated chip

MAXIMUM RATINGS: (T_A=25°C unless otherwise noted)

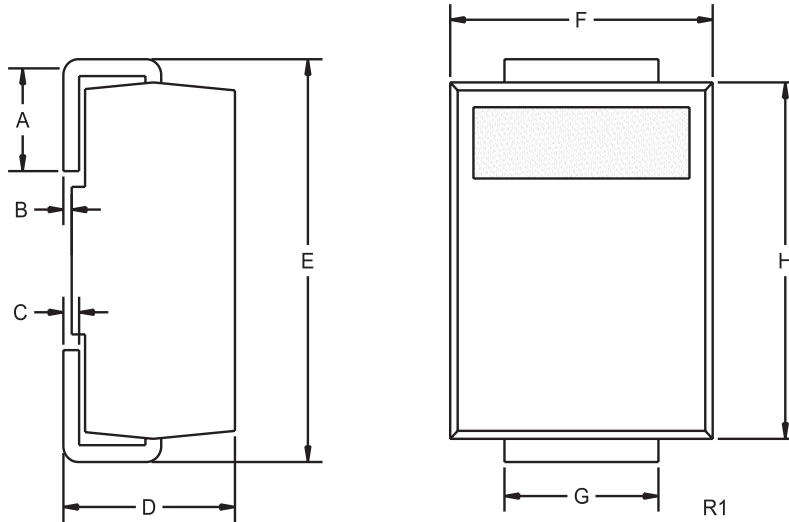
	SYMBOL	CMR1-02	CMR1-04	CMR1-06	CMR1-10	UNITS
Peak Repetitive Reverse Voltage	V _{RRM}	200	400	600	1000	V
DC Blocking Voltage	V _R	200	400	600	1000	V
RMS Reverse Voltage	V _{R(RMS)}	140	280	420	700	V
Average Forward Current(T _A =75°C)	I _O			1.0		A
Peak Forward Surge Current (8.3ms)	I _{FSM}			30		A
Operating and Storage Junction Temperature	T _J , T _{stg}		-65 to +175			°C
Thermal Resistance	θ _{JL}			20		°C/W

ELECTRICAL CHARACTERISTICS: (T_A=25°C unless otherwise noted)

SYMBOL	TEST CONDITIONS	MIN	MAX	UNITS
I _R	V _R =Rated V _{RRM}		10	μA
I _R	V _R =Rated V _{RRM} , T _A =125°C		50	μA
V _F	I _F =1.0A		1.1	V

**GENERAL PURPOSE RECTIFIER
1.0 AMP, 200 THRU 1,000 VOLTS**

SMB CASE - MECHANICAL OUTLINE



DEVICE	MARKING CODE
CMR1-02	C02
CMR1-04	C04
CMR1-06	C06
CMR1-10	C10

DIMENSIONS				
SYMBOL	INCHES		MILLIMETERS	
	MIN	MAX	MIN	MAX
A	0.030	0.060	0.76	1.52
B	0.004	0.008	0.10	0.20
C	0.006	0.012	0.15	0.30
D	0.086	0.096	2.18	2.44
E	0.200	0.220	5.08	5.59
F	0.130	0.150	3.30	3.81
G	0.077	0.083	1.96	2.11
H	0.160	0.180	4.06	4.57

SMB (REV: R1)